

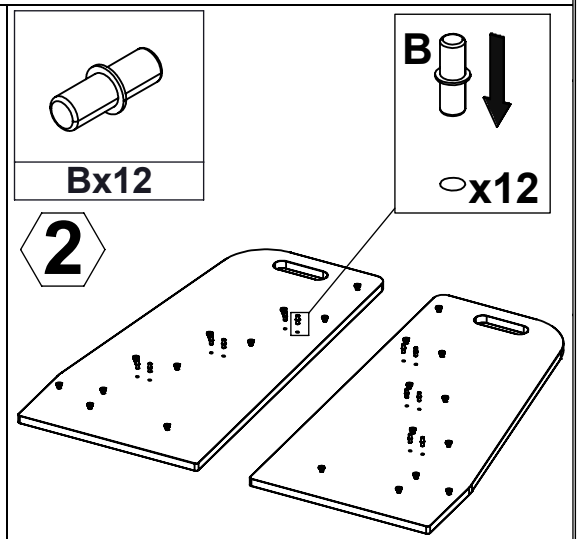
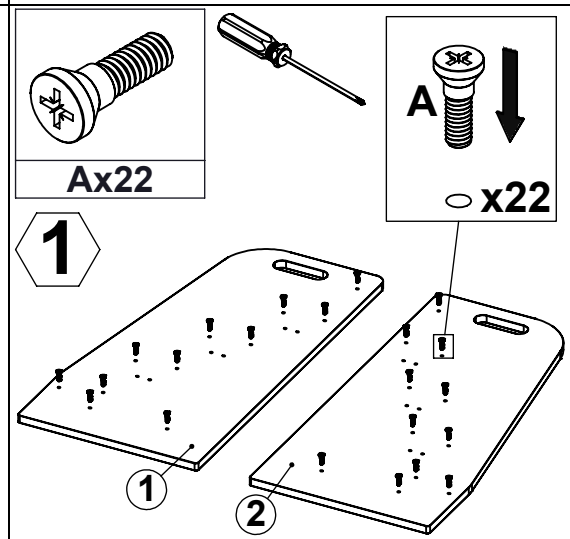
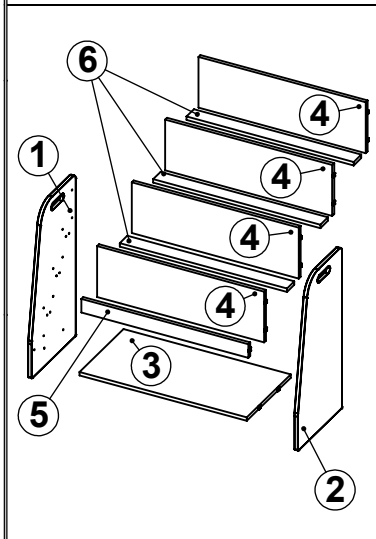
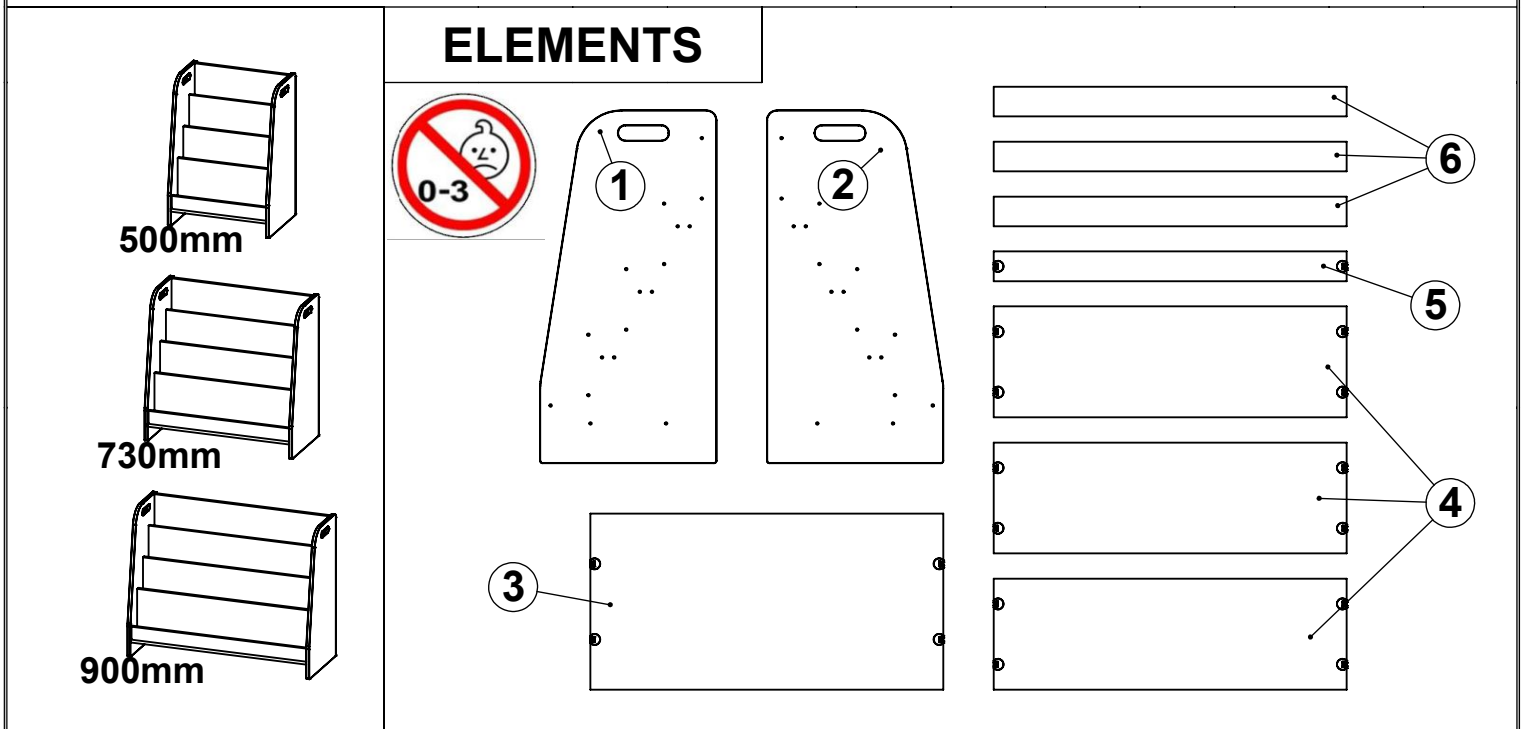
LARGE BOOKSHELF

Information for the customer

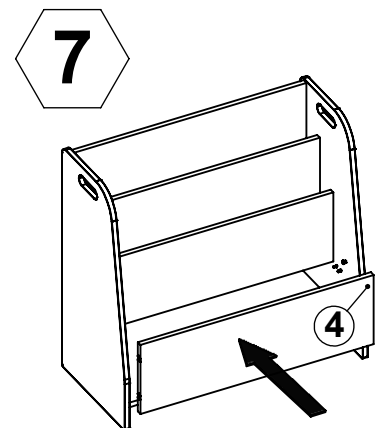
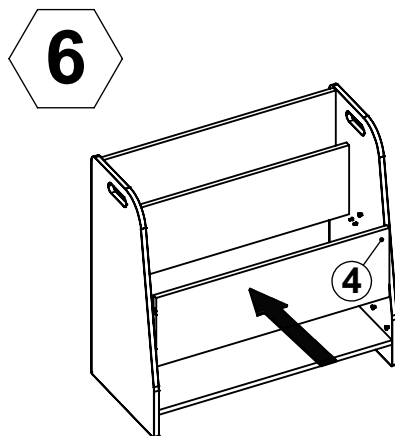
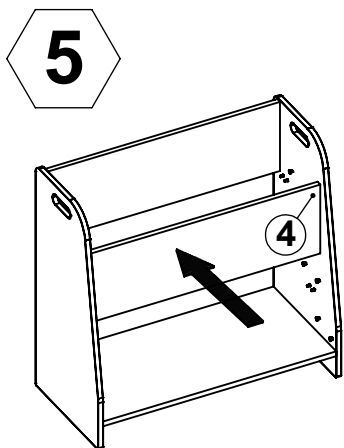
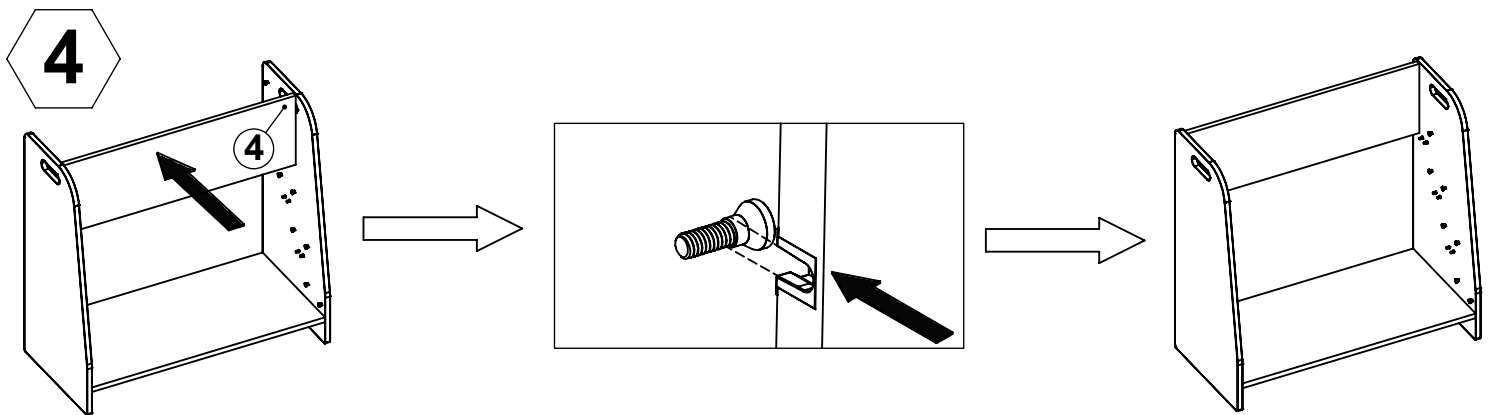
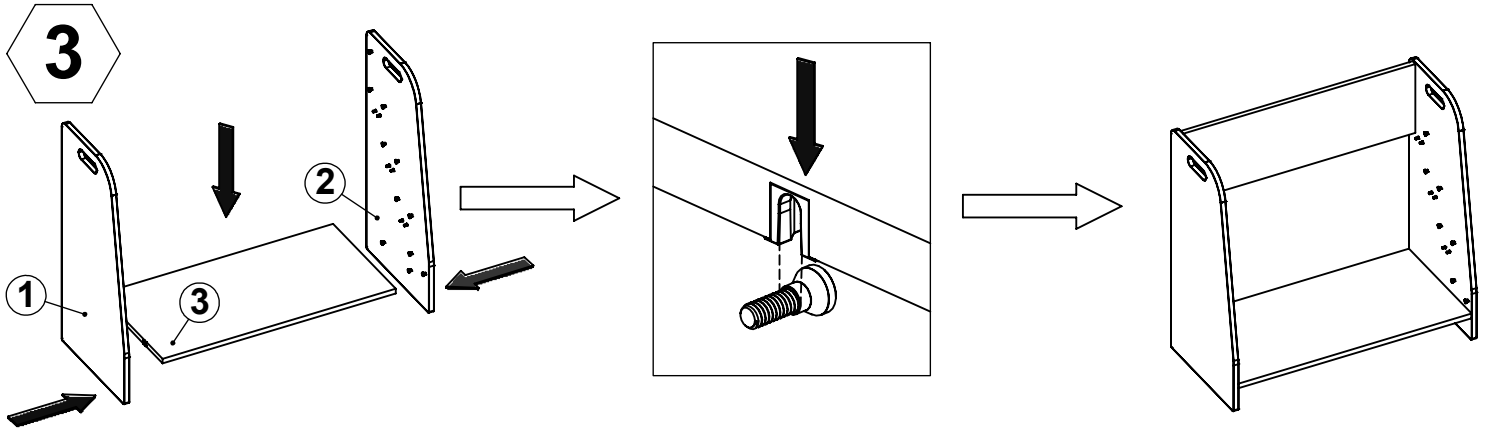
1. Bookshelf must be assembled by an adult in accordance with the attached assembly instructions.
2. Children can use the bookshelf only with an adult supervisory.
3. The bookcase is intended for children over 3 years of age and should be used in the presence of an adult.
4. Keep away from fire.
5. The product is intended for indoor use.
6. Product is secured with varnish that comply with following code DIN EN 71-3.
7. When there will be damaged element, there is a need to immediate contact the manufacturer, all damaged parts need to be replaced.

General care rules

1. Solvent and alcohol-containing substances are not allowed.
2. Please do not use glass cleaners under any circumstances because they contain solvent substances.
3. Never use harsh chemicals or shocking cleaning agents or solvents. Also, please sanding, steel wool, or the sponge for grinding pots destroy the surface so strongly that it will not be possible to restore it to its previous state.
4. Use a soft, lint-free cloth, skin or sponge
5. Do not use microfibre cloths or scouring pads. They often contain fine abrasive particles that scratch the surface
6. Always remove dirt as quickly as possible. Do not allow the stain causing the varnish to dry up.
7. Never use pressurized steam for cleaning or a hose with running water.
8. After cleaning, wipe all surfaces dry. In general, prevent surface moisturizing by using too moist cloths.
9. Keep all surfaces dry! Stagnant water and other liquids can cause permanent damage to furniture and discoloration of wood.



LARGE BOOKSHELF



! FINISHED !

